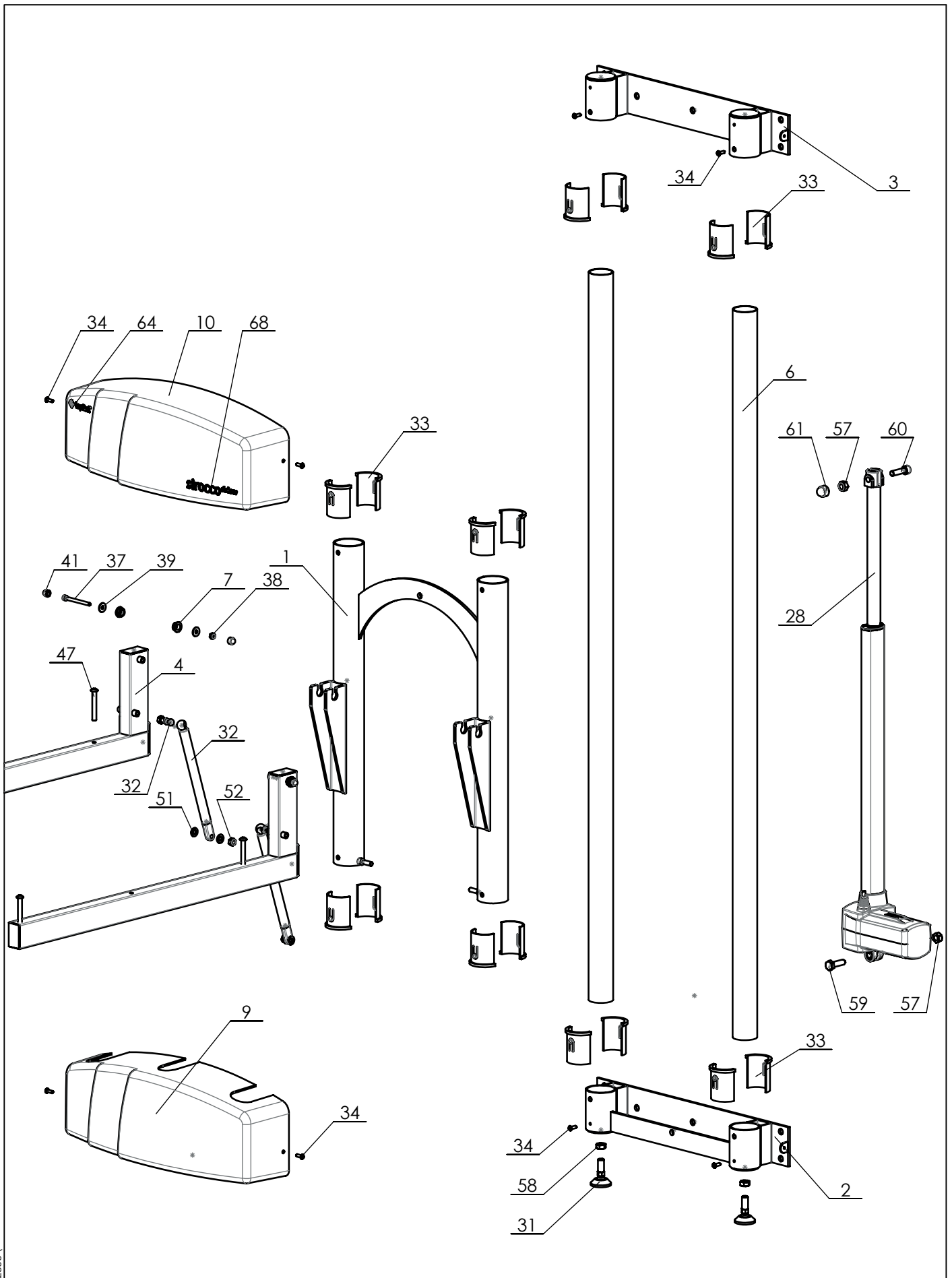


Drawn by: KA	Date: 02-09-2022
Revision: 1 / KA	Date: 27-09-2023
Revision: - / -	Date: -
Copyright reserved by law	Unit of measurement: mm

Overview parts

Lopital Nederland bv Type no: 2510 Ligframe



P:\SW-Tek\Sirocco 2500\

Drawn by: KA	Date: 02-09-2022
Revision: 1 /KA	Date: 27-09-2023
Revision: - /	Date: -
Copyright reserved by law	Unit of measurement: mm

Overview parts

Lopital Nederland bv

Type no: 2510 Wandframe

61002510 Sirocco deluxe

Part no.	Art.no.	QTY.	Name	Material	Drawing nr.
1	70250001	1	Movable frame	Steel	70250001.00.04
2	70250002	1	Floor frame	Steel + Stainless steel	70250002.00.03
3	70250003	1	Wall frame	Steel + Stainless steel	70250003.00.02
4	70250004	2	Suspension frame	Steel + Stainless steel	70250004.00.03
5	70250006	1	Upper frame	Steel + Stainless steel	70250006.00.03
6	70250007	2	Tube	Tube 1.4301 - 48,3x2 Polished grit 320	70250007.00.01
7	70560040	4	Bush	Round bar 2.0401 - 20 mm	70250008.00.00
8	70250009	2	Bush	Tube 1.4301 - 12x2 mm	70250009.00.00
9	70250016	1	Cover bottom	ABS	70250016.00.00
10	70250015	1	Cover top	ABS	70250015.00.00
11	70200005	1	Backrest	Aluminium	2000-15.4
12	70200006	1	Length adjustment	Aluminium	2000-16.4
13	67902020	1	Side rail	Aluminium + PA6 GF30 + Stainless steel	2000-ZH
14	70200029	2	Oval tube	Aluminium	2000-29.2
15	70200026	6	Side rail grip	PA6 GF30	2000-35.3
16		6	Raised countersunk screw M6x20	A2	M6x20 DIN964
17		6	Sleeve nut	A2	M6 x10 x15
18	70200019	1	Oval tube	Aluminium	2000-28.2
19	Set with no. 20	1	Reservoir coupling	PP	2000-36
20	70200015	1	Mattress drain	PP	2000-37
21	70200016	1	Clamping ring	POM	2000-38.1
22	70200024	4	Hinge	PA6 GF30	2000-42
23	70200030	1	Cover cap set	ABS	2000-46.1
24	70200030	1	Cover cap set	ABS	2000-47.2
25	70200030	1	Cover cap set	ABS	2000-48.2
26		1	Mattress	PVC	2000-Matras
27	70205005	1	Actuator TA29 B	-	TA29
28	70250011	1	Actuator TA37 H/L	-	TA37-Slag 500
29	70250013	1	Control Box	-	3D_TC12 (2.9A)
30	70205003	1	Batterypack	-	Accu
31	70250019	2	Adjustable foot	-	Stelvoet M10
32	70250018	2	Gas spring	-	150mm 700N
33		16	Bearing shell	PA Type 6	70250010.00.00
34		12	Hex socket head screw	A2	M5x16 ISO7380
35		4	Hex socket head screw M6x8	A2	M6x8 ISO7380
36		4	Cylinder head screw M6x25	A2	M6x25 DIN912
37		2	Cylinder head screw M6x65	A2	M6x65 DIN912
38		6	Locknut M6	A2	M6 DIN985
39		4	Washer M6 Ø18	A2	Carrosseriering M6 DIN9021
40		4	Washer M6	A2	M6 DIN 125

Drawn by: KA	Date: 02-09-2022
Revision 1 /KA	Date: 27-09-2023
Revision - /	Date: -

Overview parts

Copyright reserved
by law

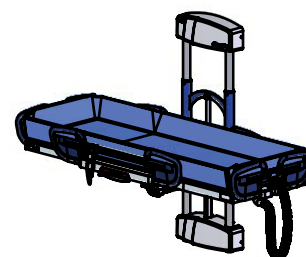
Unit of measure-
ment: mm

Lopital Nederland bv

Type no: 61002510

61002510 Sirocco deluxe

Part no.	Art.no.	QTY.	Name	Material	Drawing nr.
41		4	Nut cap M6	PE (wit)	Moerkap M6
42	70200037	2	Connecting nut M6x20	A2	Verbindingsmoer M6x20 rond
43		2	Cylinder low head screw M8x40	A2	M8x40 DIN7984 lage kop BZK
44		1	Cylinder head screw M8x30	A4	M8x30 DIN912
45		4	Hexagonal head bolt M8x50	A2	M8x50 DIN933
46	-	2	Cylinder head screw M8x55	A2	M8x55 DIN912
47		4	Button head screw M8x60	A2	M8x60 ISO7380
48		1	Hexagon head bolt M8 x 65	A2	M8x65 DIN933
49		4	Hexagon head bolt M8 x 65	A2	M8x80 DIN933
50		2	Washer M8	A2	M8 DIN 125
51		6	Washer M8	PA	M8 DIN 125 PA
52		6	Locknut M8	A2	M8 DIN985
53		8	Locknut M8	A2	M8 Flensmoer
54		4	Nutcap M8	PE	Moerkap M8
55		2	Filler 8,2x12x22,5	PA	8x12x7,5
56		2	Washer 8x20x5	PA	8x20x5
57		2	Locknut M10	A2	M10 DIN985
58		2	Hexagonal nut M10	A4	M10 A2 DIN 934
59		1	Hexagon head bolt M10x35	RVS 304	M10x35 DIN931
60	-	1	Cylinder head screw M10x35	A2	M10x35 DIN912
61		1	Nutcap M10	PE	Moerkap M10
62		6	Connecting nut M10x20	A2	Verbindingsmoer M10x20 rond
63	70200038	4	Connecting nut M10x40	A2	Verbindingsmoer M10x40 rond
64		1	Sticker Lopital	PP Film	Sticker - Lopital + Logo 12 mm
65		1	Safetysign sticker		Safetysign M200 - vlak
66		1	QR info sticker		Sticker-QR Informatie - vlak Horizontaal
67		1	Serial number sticker		Sticker-Serienummer - vlak
68		1	Sticker Sirocco	PP Film	Sticker - Sirocco deluxe
69	67902000	1	Hose (complete)	PVC	Afvoerslang 90 graden
70	70205004	1	Handset	-	3D_TMH3



Drawn by: KA	Date 02-09-2022
Revision 1 /KA	Date 27-09-2023
Revision - /	Date -

Overview parts

Copyright reserved
by law

Unit of measurement: mm

Lopital Nederland bv

Type nr: 61002510